

PELI-HARDIGG™

RACK MOUNT CASE CATALOGUE

Peli-Hardigg™ Cases are world renowned as the toughest, smartest transport systems available for commercial, industrial and military shippers. Our innovative design process and rigorous testing methods continue to result in superior patented advancements that ensure your vital, sensitive and expensive electronics remain protected. Peli-Hardigg™ Rackmount Cases can take repeated drops, blows and soakings while protecting your gear. When it comes to electronics, nothing protects better than a Peli-Hardigg™ Case.

From the ultimate protection of a Classic Rack, to the removable rack option offered by SuperMAC, to the smaller footprint MAC Rack and ProRack, Peli-Hardigg™ has the solution to fit your exact shipping and protection requirements.

All Peli-Hardigg™ Rackmount Cases boast rugged rotomoulded exterior shells that withstand all kinds of abuse, drop after drop, in every environment – damage free.

RACK MOUNT CASES

Rack Mount Features	4-5
Rack Mount Roto-Moulded Cases	6-7
Rack Mount Options	8-9
Products	10-17
Euro-V	10
Classic Rack™	11
SuperMAC™	12
MAC Rack™	13
V-Series	14
Min Mac Rack™	15
Blackbox	16
ProRack™	17
Specifications	19-30
Part Number Breakdown	31

Rack Mount Features

Choosing the perfect Rackmount cases

From the most delicate equipment to slightly more rugged electronics, Peli has a case with the perfect combination of shock, vibration protection and portability.

Use the following product pages to help you find the exact configuration of access and stabilising security suited to your specific needs.



If you require a case with a capacity beyond 150 Kg., please contact us for more options or custom solutions.

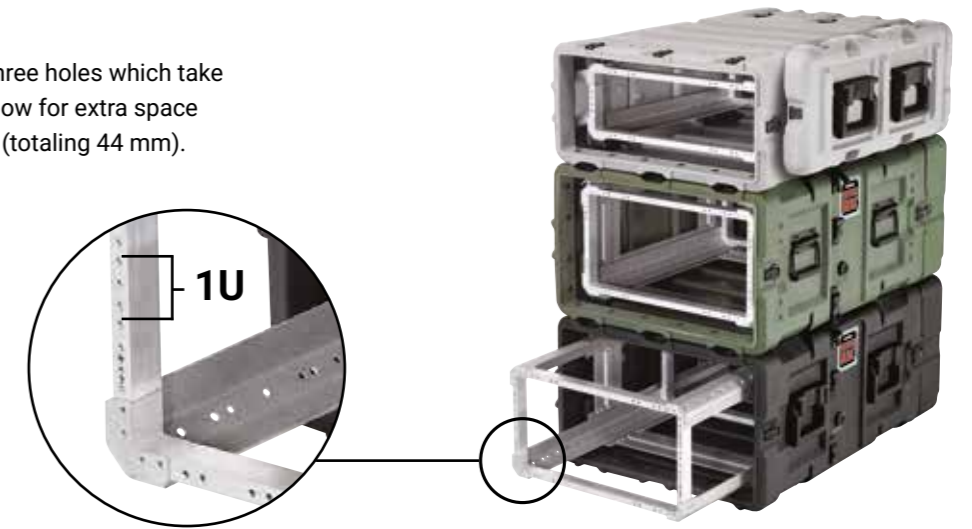
G Fragility Rating

The fragility of an item is normally expressed in "G" units. G units are a measure of the force exerted on bodies by the earth's gravitational pull. Products with a larger g-force rating require less protection from shock and vibration. For instance, an item with 20 G fragility will suffer damage when subjected to a force 20 times that of normal earth gravity. The fragility of an instrument or piece of equipment is usually determined by laboratory testing.

Classification	Fragility (shock and vibration levels)	
Extremely Sensitive Inertial Navigation Equipment (Gyroscopes)	12 - 18 G's	
Very Delicate Electro-Optical (101-152 mm), Precision Test Equipment	18 - 25 G's	
Fragile General Electro-Mechanical, Medical and Biological Diagnostic, Tower Computers, Colour TV Cameras, High End Rack Mount Electronics, Printers	25 - 50 G's	
Moderately Fragile Solid-State Circuit Electronics, Radar and Microwave, Antennas, Audio-Visual Projectors, Aircraft Engines General Rack Mount Electronics	50 - 80 G's	
Rugged PC Boards, PC Monitors, Refrigerators, Microwave Ovens, Control & Metering Valves, Cameras, Emergency Rescue Gear	80 - 120 G's	
Very Rugged Most Small Appliances, Peli Flashlights, Tools, Guns	120 G's and Up	
Cell Phone	300 G's	

What is a U size?

A "U size" is a worldwide standard rack unit specification. It consists of three holes which take up to 32 mm plus 6 mm above and below for extra space between rack mountable components (totaling 44 mm).



Choosing the Perfect Rackmount Cases

- Moulded-in, tongue-in-groove gasketed parting lines seal tight and remain so after impacts
- Patented, moulded-in metal inserts for catch and hinge attachment points provide strength and spread loads to the container wall for maximum integrity
- Moulded-in male/female stacking ribs for secure stacking
- Patented, positive anti-shear locks prevent case lids from separating from mid-section even after impact – and minimise stress on hardware
- Shock mounts provide excellent shock and vibration cushion for delicate equipment
- Moulded-in ribs provide extra columnar strength
- Peli-Hardigg's patented, wide-design, Comfort Grip Handles™ come standard on most cases
- One-piece rotomoulded body and lids
- BLACKBOX ONLY**
BLACKBOX comes standard with rugged steel frame
- Interference fit spiral spring pins in each corner for maximized structural integrity
- Designed to meet ANSI/EIA-310-C for universal rack mounting hole pattern
- Aircraft-quality, precision-tempered 6061-T6 aluminum provides a high strength-to-weight ratio
- Fully recessed hardware protected from external impact damage
- Exceeds Air Transport Association (ATA) Specification 300, Category I requirements
- Reinforced corners and edges (high-stress areas) with 15 to 20% more material
- Splash and rain resistant – airtight/watertight available
- Durable moulded-in colour

Designed to meet ANSI/EIA-310-C for universal rack mounting hole pattern (10/32 for US, M6 for International)

Rack Mount Roto-Moulded Cases



	Euro-V (9 Case Sizes)	Classic Rack Case (60 Case Variations)	SuperMAC™ Case (21 Case Variations)	MAC Rack™ Case (54 Case Variations)
	Medium Duty	Extreme Heavy Duty Round Hole Square Hole	Medium/Heavy Duty Round Hole Square Hole	Medium Duty
Configuration	Made to Order	Configurable Rack Cases, Made to Order		
Shock Protection	Better shock and vibration protection.	The best shock and vibration protection available, especially for the heaviest payloads.	Better shock and vibration protection.	Better shock and vibration protection.
Frame Style & U Sizes	Square Hole Frame 610 mm (24") 4U, 7U, 9U 762 mm (30") 4U, 5U, 6U, 7U, 8U, 10U	Heavy-Duty Threaded Aluminum Frame 432 mm, 457 mm, 508 mm, 584 mm, 635 mm, 711 mm, 838 mm (17", 18", 20", 23", 25", 28", 33") 3U (4U), 4U (5U), 5U (6U), 6U (7U), 7U (8U), 9U (10U), 10U, 11U (12U), 14U (15U), 21U (22U), 26U (27U) Square Hole Frame - 508 mm (20"), 635 mm (25"), 838 mm (33") 3U, 4U, 5U, 6U, 7U, 9U, 10U, 11U, 14U	Heavy-Duty Threaded Aluminum Frame 610 mm (24") 3U, 4U, 5U, 7U, 9U, 11U, 14U 762 mm (30") 3U, 4U, 5U, 7U, 9U Square Hole Frame 3U, 4U, 5U, 7U, 9U, 11U, 14U	Heavy-Duty Threaded Aluminum Frame 508 mm (20") & 610 mm (24") 3U, 4U, 5U, 6U, 7U, 9U, 11U, 12U, 14U
Shock Sets	10-80 kg	9-77 kg / 72.5 - 154 kg (higher payloads can be engineered)	11-57 kg / 57-90 kg	11-45 kg / 45-90 kg
G - Rating	15 - 30 G	15 - 30 G	40 - 70 G	50 - 80 G
Sway Space	25 mm	50 mm	25 mm	21 mm
Shock System	» Shock mounts that attach directly to a flat area that is moulded into the body of the case.	» Frame and shocks are attached to metal rails that run front-to-back in the midsection for superior shock and vibration protection. » Frame is threaded Standard (SAE) or metric (M6).	» Frame attaches to a rubber "boot" to provides excellent shock and superior vibration dampening. » Frame is threaded Standard (SAE) or metric (M6).	» Frame is a strong lightweight extruded aluminum for strength. » Frame is threaded Standard (SAE) or metric (M6).
Frame Characteristics	» Steel rack with an industry-standard square hole pattern (M6 Clip nuts available).	» Strong light-eight extruded aluminum with a patented "Dog Ear" corner design for strength. » Tapped Standard (SAE) or Metric (M6). » Extra 1U Size Option. » Heavy weight shock kit for 200 to 360 lbs.	» Frame is a strong light-eight extruded aluminum with our patented "Dog Ear" corner design for strength. » Tapped Standard (SAE) or Metric (M6).	» Shock mounts on the frame are attached directly to a flat shoulder that is moulded into the body of the case.

* 432mm (17") in 10U only, 457mm (18") in 7U (8U), 584mm (23") in 26U only and 28 in 10U only

MIN MAC Rack™ Case (20 Case Variations)	Classic-V Rack Case (5 Case Sizes)	Super-V Rack Case (7 Case Sizes)	BlackBox Case (7 Case Sizes)	ProRack™ Case (4 Case Sizes)
Light Medium Duty semi fragile	Medium Duty	Medium Duty	Light Duty	Super Light Duty
Configurable & Made to Order	Off-the-Shelf (In stock and ready to ship)			Configurable & Made to Order
Better shock and vibration protection.	Better shock and vibration protection (up to 170 lbs.).		Basic transport and protection from the elements.	Basic transport and protection from the elements.
Square Hole Frame 480 mm (19") 4U, 6U, 8U, 10U, 12U 610 mm (24") 4U, 6U, 8U, 10U, 12U	Steel Square Hole Frame includes both SAE and M6 cage nuts 838 mm (33") 3U, 4U, 5U, 7U, 9U	Square Hole Frame 610 mm (24") 3U, 4U, 5U, 7U, 9U, 11U, 14U 762 mm (30") 3U, 5U, 7U, 9U	Steel Threaded Rack Frame 610 mm (24") 3U, 4U, 5U, 7U, 9U, 11U, 14U 762 mm (30") 3U, 5U, 7U, 9U	Aluminum Frame 432 mm (17") with threaded clip nuts Rear Extruded Frame (Optional)
10-50 kg	3U to 5U = 36-45 kg 7U to 9U = 45-77 kg	3U to 5U: 36-45 kg 7U to 14U = 45-77 kg	9-45 kg	Up to 34 kg
15 - 30 G	N/A	N/A	40 - 80 G	80 - 120 G
13 mm	35 mm	25 mm	25 mm	No Sway Space
» Shock mounts that attach directly to a flat area that is moulded into the body of the case.	» Classic V frame attaches to a moulded shoulder inside the case.	» Super V frame attaches to a flat area in the case wall.	» Shock mounts that attach directly to a flat area that is moulded into the body of the case.	» Frame attached to the opening of the case with no shock mount protection.
» Steel rack with an industry-standard square hole pattern.	» V Racks have a steel square-hole frame using Standard (US) or Metric (M6) cage nuts.	» V Racks have a steel square-hole frame using Standard (US) or Metric (M6) cage nuts.	» Light duty steel frame. » Holes are tapped Standard SAE.	» Rack frame is made of heavy-duty aircraft grade aluminum. » Only Front frame installed. Rear frame is optional. » The aluminum rack frame is attached directly to the case wall at the opening.

Rack Mount Options

Hardware - Catch & Strike Latches



Black Carbon Steel (HNB) is low cost with strong strength.

Black Plated Stainless Steel (SSB) is corrosion resistant.

Security



Lockable Cable Catch Set of four (4) cable locks per case. Two (2) attached per lid on opposing corners. Cable is made of tamper-resistant aircraft steel.

Padlock Not Included

Pressure/Humidity Options



Pressure Relief Valve (PRV) With Closed Loop Gasket
The manual PRV button is used to maintain correct pressure differential. Pressure range: +/- 0.5 PSID.

Humidity Indicator
Indicates 20%, 30%, and 40% relative humidity ranges. Colour changes when inside humidity exceeds the indicated level. Resets as humidity decreases; used along with PRV.

Handles



Heavy Duty Handle
Comfort grip handle, rustproof HDPE, recyclable, light weight, 90° Stop, spring loaded, 68 kg lift capacity/handle.

Extra Handles. (3 & 4 Hole)
90° stop handle. Black Plated Steel or stainless steel (black finish). 3-hole: 15 kg. lift/handle 4-hole: 68 kg. lift/handle.

Lifting and Stacking Options



Lift / Tie Down Rings
2" (50 mm) diameter lift grips, spring loaded, pivot 180°, (340 kg/ring rating installed). (453 kg/ring rating). Plated Steel and Black Stainless Steel.

Coupling Catches
Built in attachment system latching one case to another for secure stacking (on Classic rack cases).

E-Buckle
Built in attachment system latching one case to another for secure stacking (on Supermac cases).

Cards, Labels and Stencils



Front Labels
A set of two labels.

Standard Labels
Custom option, requires an estimate.

Custom Stenciling
Per MIL-I-43553, Black, White, Yellow. Custom option, requires an estimate.

Card Holder
Set of metal holders for shipping card. 3" x 5" (76 x 127 mm) or 4" x 6", (102 x 152 mm).

ID Plate (Type H, Style IV)
Per MIL-P-15024, Size 10 4" x 4" x .020" (102 x 102 x 0.5 mm), aluminum fastener attached.

Other Options



Cage Nuts for V Racks
SAE/10-32 and Metric cage nuts for square hole racks. Packs of 24 pieces and 50 pieces.

Panel Screw With Washer
Used on any rack case.

Lid Storage Pouch
Zippered pouch for storing cables and accessories in front and/or rear lids.

Lid Leg Kit
5U or larger, 12" (304 mm) legs for seat height and 20" (508 mm) or 22.5" (572 mm) for table height.

Lid Hangers
Store lids on side of case when case is open. Set of four (4) hangers for two lids.

Rack Frame Options



Fixed Bottom Support Rails (bottom view)
These aluminum supports installed on the bottom of the rack, front to back.

Adjustable Vertical Supports
These aluminum supports installed on the side walls of the rack, top to bottom.

Adjustable Horizontal Supports
These aluminum supports installed on the side of the rack, front to back.

1/8" Wider Frame
Typically used with slides mounted on inside of upright.

Removable Rack System
This option is only available on Classic Racks and SuperMAC™ racks. (see page 16-18 for more info).

Shelves and Drawers



1U Filler Panel
16-gauge aluminum, brushed black finish, Available in 1U, height 1.75" (44.45 mm).

Drawers
Key Lockable 2U, 3U, and 4U Drawers with slides, 15.78" (403 mm) wide, 24" (610 mm) deep. Max drawer payload 25 lbs (11.3 kg).

Keyboard Tray
Comfortable standard size keyboard. 24" (610 mm) wide, 12 inches (305 mm) deep. Attaches to case front catches.

Rack Slides
Compact solid bearing slides. Used to mount equipment directly into rack, or to mount drawers and shelves. (38.5 kg. capacity), sold in pairs.

Shelves
Fixed and sliding shelves available. (15.9 kg. per shelf).

Rear Rack Frame (rear view)
For ProRack™ cases only.

Rolling Features



Locking Swivel Casters
Button release QuickClip™ swivel casters, removable or fixed, 88 mm (3.5") or 127 mm (5.0") wheel diameters. No hardware included.

Caster Mounting System
Enhances the bottom panel strength of rack cases, while providing the same button-release convenience of the QuickClip™ caster plate.

Caster Storage in Lid
Holds four (4) casters on one (1) machined aluminum extrusion with mounting hardware (5" lid only).

Edge Casters
Two (2) wheel housings installed on 127 mm lids for case for cart-like movement. Load limit is 34 kg/wheel. Used on Classic racks and Classic V Rack cases.

NOT ALL ACCESSORIES ARE AVAILABLE ON ALL STYLES AND SIZE CASES.
SEE "OPTIONS" ON THE CASE PAGES IN THIS CATALOGUE OR CONTACT YOUR TECHNICAL SALES REPRESENTATIVE FOR CONSULT.

Standard Colours for Majority of Rack Cases*

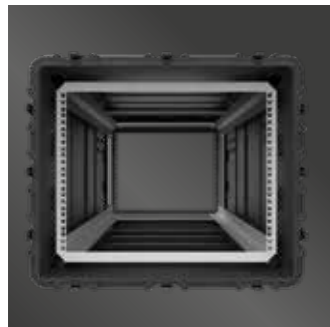
*Euro-V, V-Series, BlackBox and ProRack cases are only available in Black.

Gray - 133 Fed Std# 26270	Tan - 250 Fed Std# 20372	Blue - 135(lt) Pantone# 292U	White - 132 Fed Std# 27925	Yellow - 136 Pantone# 012U	Green - 138(forest) Fed Std# 24052	Orange - 134 Fed Std# 12197
Yellow - 131 Fed Std# 23538	Maroon - 197 Pantone# 202U	Blue - 101(dk) Fed Std# 25052	Black - 032 Fed Std# 27040	Red - 130 Fed Std# 21105	Olive Drab - 137 Fed Std# 34096	Purple - 129 Pantone# 245U

Note: Some options are not available on all case sizes and availability is subject to change at manufacturer's discretion. Case colours/options may differ slightly from printed versions.

Euro-V

Medium Duty



The Euro-V Rack Case is a robust, standard solution designed for fast deployment. It features a steel rack with an industry-standard square hole pattern (M6), supporting metric-mounted equipment. Available in 9 sizes with 610 mm and 760 mm depths,

it delivers dependable shock protection in a lightweight, durable design.

Manufactured in Germany, Euro-V cases offer reduced lead times—ideal for time-sensitive operations without compromising performance.

Euro-V Rack Cases feature an interstackable design, making them fully compatible with Super-V and BlackBox rack cases for seamless integration and efficient space utilization.



Sizes

4U, 5U, 6U, 7U, 8U, 9U and 10U
2" front lid and 5" back lid standard

G-Rating

15 - 30

Payload

10 to 80 kg

Sway Space

25 mm

Base Features

- » Colour: Black
- » 8 Black Plastic Handles
- » Steel Square Hole Rack Frame
- » Pressure Equalisation Device and Closed Loop Gasket
- » Lid Hangers and Coupling Catches
- » Moulded in Stacking Ribs

Rolling Features

All Euro-V cases come standard with edge casters

Superior compact mobility with square hole frame



See specifications on page 17

Maximum shock and vibration protection in a wide range of sizes and accessories



See specifications on page 18-19

Classic Rack Case

Extreme Heavy Duty

The Classic Rack case has a 19" (48 cm) wide EIA standard rack frame with the option of Peli's Lock 'N Load removable rack. It comes in a variety of rack depths including 17", 18", 20", 23", 25", 28", 33" (43 cm, 46 cm, 51 cm, 63 cm, 71 cm, 84 cm).



Peli™ Classic Rack cases are extra rugged, roto moulded rack cases, designed with a superior shock system to protect ultra-fragile equipment during transport, especially in rugged environments.

An additional 1U can be added to the height of the Classic rack frame without moving to the next larger size case. Optional U sizes are indicated in "()".

Heavy Duty Shock System

Used for higher weight payloads from 72.6 kg (160 lbs) to 154.2 kg (340 lbs).

- » Cases 7U and smaller receive 16 shock mounts.
- » Cases 9U and larger receive wall stiffeners, Lift/Tie down rings and 16 shock mounts

Sizes

3U (4U), 4U (5U), 5U (6U), 6U (7U), 7U (8U), 9U (10U), 10U, 11U (12U), 14U (15U), 21U (22U), 26U (27U). "(U)" is same case size with 1U added to the frame. 2" and 5" lid options

G-Rating

15 - 30

Payload

8-shock mounts: 9.1 kg to 77 kg.
16-shock mounts: 72.6 kg to 154 kg.
Requires heavy duty shock kit.

Sway Space

50.8mm sway space for maximum ability to decelerate shock forces and provide airflow

Base Features

- » Colour: Grey (133)
- » Black Plated Steel Non-Locking Catch-and-Strike Hardware
- » Four (4) Black Stainless Steel Handles

- » Tapped Standard (SAE) or Metric (M6) cage nuts included based on frame style choice
- » Choose either a Heavy Duty Extruded Aluminum Rack Frame or a Square Hole Frame available for cases up to 14U.

Options / Accessories

- » 13 Optional Colours
- » Extra 1U Rack Size Option
- » Lifting Rings
- » Heavy Duty Shock System (90 - 154 kg.)
- » Pressure Relief Valve and Closed Loop Gasket
- » Bolt-On Edge Casters- 127 mm Lid
- » Lid Hangers
- » Card Holders-3 x 5 and 4 x 6
- » Labels - Front, STD and ATA
- » Lockable Cable Catches and Coupling Catches for Case Stacking
- » Stencils
- » Bezel Plate (1U)
- » Drawers (2U, 3U and 4U options)
- » Sliding Shelves
- » Keyboard Tray
- » Lock 'N Load Removable Rack (pg 16)
- » Horizontal and/or Vertical Supports for Heavy Weighted Payload
- » Lid Pouch in 127mm lid
- » Locking removable 88mm or 127mm Casters
- » Caster Storage in 127mm Lid



Shock/vibration System

Wall Mounted Cylindrical shocks. Euro-V Rack Cases have a steel square-hole frame using Metric (M6) clip nuts. The shock mounts are attached directly to the case wall.

Applications

- » Military Rapid Deployment
- » Precision Lab and test Equipment
- » Aerospace Instrumentation
- » Control Consoles/Panels
- » Radar/ Microwave Antennas
- » Solid State Electronics
- » Communications Equipment
- » Field-Deployed Applications
- » Medical and Biological Diagnostic Devices
- » Flight Simulators

Customisation

Euro-V rack cases are fully configurable and made to order using the list of options. They can also be customised by our Technical Sales solution team.



Shock/vibration System

Cylindrical Shock Mounts installed on an Extruded Aluminum tapped rack frame with "Dog Ear" corner. Shock mounts attach to metal reinforcement rails that run the full length of each corner of the case body. Frame can be tapped Standard (SAE) or Metric (M6). This system provides superior shock and vibration protection.



Square Hole Frame Option

Cylindrical Shock Mounts installed on a heavy-duty square hole frame. Shock mounts attach to the metal reinforcement rails that run the full length of each corner of the case body. Cage nuts kits provided based on the Metric or SAE frame option that is chosen.

SuperMac™ Case

Medium / Heavy Duty



The SuperMAC™ case is a smooth surface case with a 19" (48 cm) wide and 24" (61 cm) deep EIA standard rack.

The SuperMAC™ case is our most compact container with the option of a Lock 'N Load removable rack. The SuperMAC™ case strategically uses every inch of space, allowing ample room for

wiring and equipment integration - all while providing medium duty protection. The optional removable rack system slides open as easily as a file drawer, for full access to equipment.

The SuperMAC™ case is ideal when you need vibration and shock protection for sensitive electronic equipment but don't have enough space for a Classic Rack case.

Shock and vibration protection in a smaller width to save space



See specifications on page 20-21

Sizes

3U, 4U, 5U, 6U, 7U, 9U, 11U, and 14U

G-Rating

40 - 70

Payload

11,3 to 56.7 kg
56.7 kg to 90.7 kg

Sway Space

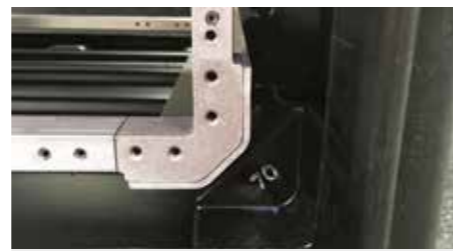
25 mm sway space for the ability to decelerate shock

Base Features

- » Colour: Grey (133)
- » Black Carbon Steel Non-Locking Catch-and-Strike Hardware (HCB)
- » Eight (8) Plastic Comfort Grip Handles on front and back lids and on each side of the case body
- » Heavy Duty Reinforced Extruded Aluminum Rack Frame with patented "Dog Ear" reinforced corners
- » Lid Hangers
- » Mould-in Edge Casters on 127 mm Lid
- » Tapped Standard (SAE) or Metric (M6)

Options / Accessories

- » 13 Optional Colours
- » Black Stainless Steel (SSB) Hardware
- » Black Stainless Steel Metal Handles
- » Coupling Catches for Inter-Locking Case Stacking
- » Lifting Rings
- » Lockable Cable Catches
- » Pressure Relief Valve and Closed Loop Gasket
- » Card Holders - 3 x 5
- » Labels - Front, STD and ATA
- » Stencils
- » Bezel Plate (1U)
- » Drawers (2U, 3U and 4U options)
- » Sliding Shelves
- » Keyboard Tray
- » Horizontal and/or Vertical Supports for Heavy Weighted Payload
- » Lock 'N Load Removable Rack (pg 18)
- » Lid Pouch (127 mm lid only)
- » Locking Removable 88 mm (3.5") or 127 mm (5.0") Casters
- » Caster Storage in 127 mm Lid



Shock/vibration System

Shock Isolation Mounts with an Extruded Aluminum tapped rack frame with our "Dog Ear" corner and our heavy-duty rubber boot shock that is inserted into the case body at the corners to provide a flexible, shock absorbing attachment for the rack frame. Frame can be tapped Standard (SAE) or Metric (M6).



Square Hole Frame Option

Cylindrical Shock Mounts installed on a heavy-duty square hole frame. Shock mounts attach to the metal reinforcement rails that run the full length of each corner of the case body. Cage nuts kits provided based on the Metric or SAE frame option that is chosen.

MAC Rack™ Case

Medium Duty

Heavy-duty case with good vibration protection

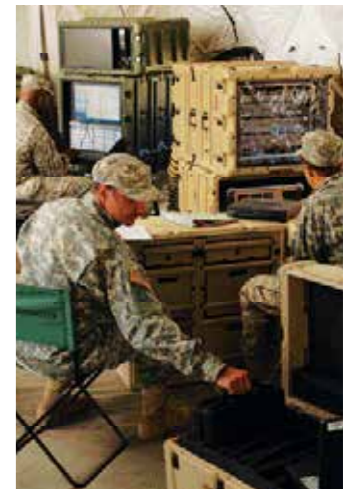


See specifications on page 22-23

The MAC Rack™ case is a textured low-visibility roto moulded case with a 19" (48 cm) wide and a 20" (51 cm) or 24" (61 cm) deep EIA standard rack.

Compact and light weight, MAC Rack™ cases boast a smaller footprint to make the most of limited space. The MAC Rack™ case protects with the same rotomoulded outer shell and 19" (48 cm) EIA shock mounted rack as the Classic Rack, but with a smaller sway space.

The MAC Rack™ case is perfect for less fragile equipment that still needs protection from shock, vibration, moisture, and impact along with the advantages of a heavy-duty case.



Sizes

3U, 4U, 5U, 6U, 7U, 9U, 11U, 12U, and 14U
2" and 5" lid options

G-Rating

50 - 80

Payload

8-shock mounts: 10.9 kg to 45.4 kg
16- shock mounts: 45.4 kg to 90.7 kg

Sway Space

21 mm sway for the ability to decelerate shock

Base Features

- » Colour: Grey (133)
- » Black Carbon Steel Non-Locking Catch-and-Strike Hardware (HCB)
- » Eight (8) Spring Loaded Stainless Steel Black Handle (SSB) under 5U. Eight (8) plastic handles 6U and higher
- » Heavy Duty Reinforced Aluminum Rack Frame
- » Mould-in Edge Casters on 127 mm Lid
- » Tapped Standard (SAE) or Metric (M6)
- » Standard Labeling

Options / Accessories

- » 13 Optional Colours
- » Stainless Steel Black Hardware
- » Stainless Steel Handles
- » Lifting Rings
- » Pressure Relief Valve and Closed Loop Gasket
- » Locking Removable Casters
- » Lockable Cable Catches
- » Card Holders - 3 x 5 and 4 x 6
- » Labels - Front, STD and ATA
- » Stencils
- » Bezel Plate (1U)
- » Drawers (2U, 3U and 4U options)
- » Sliding Shelves
- » Keyboard Tray
- » Horizontal Supports for Heavy Weighted Payload
- » Lid Pouch in 127 mm wheeled lid
- » Locking Removable 88 mm or 127 mm Bottom Casters
- » Caster Storage in 127 mm Lid



Shock/vibration System

Cylindrical Shock Mounts installed on a strong light-weight extruded aluminum rack frame with a "Dog Ear" corner. Shock mounts attach directly to a moulded-in shoulder on the body of the case. Frame can be tapped Standard (SAE) or Metric (M6).

Applications

- » Field-Deployed Equipment
- » Sheltered Applications
- » Control Consoles and Panels
- » Radar and Microwave Antennas
- » Solid-State Circuit Electronics
- » Radio, TV and Communications Equipment

Customisation

MAC Rack™ cases are fully configurable and made to order using the list of options. They can be customised by our Technical Sales solution team.

V-Series Cases

Medium Duty



V-Series rack cases utilize a 48 cm steel EIA standard rack design with an industry-standard square hole pattern. Simply insert either the 10-32 Imperial or M6 Metric cage nut onto a square hole and mount your equipment.

Now you can get pro-grade rack mount cases in days instead of weeks. Peli-Hardigg maintains

inventory on both coasts, reducing your freight cost and transit time.

24" SUPER-V RACK MOUNT CASE

Has a 19" (48 cm) wide and 24" (61 cm) deep EIA standard rack.

30" SUPER-V RACK MOUNT CASE

Has a 19" (48 cm) wide and 30" (76.2 cm) deep EIA standard rack.

33" CLASSIC-V RACK MOUNT CASE

Has a 19" (48 cm) wide and 33" (84 cm) deep EIA standard rack.

Off-the-shelf industry-standard square hole rack cases



See specifications on page 24-25

Compact square hole rack cases



See specifications on page 26

MIN MAC Rack™ Case

Light | Medium duty semi fragile

The lightweight, compact design of the Min Mac Rack™ double ended cases, offer light to medium duty protection and boast industry leading shock performance. Its angled precision-engineered elastomeric shock mounts are fine-tuned to match the weight and fragility of your equipment, ensuring maximum shock and vibration isolation.



High strength, heat treated, square holed steel frame provides a range of mounting options. If you try to make the most of limited space, but still require a rugged protection, Min Mac Rack™ is the answer.



33" Classic-V

Sizes

3U, 4U, 5U, 7U, and 9U
2" front lid and 5" back lid standard

Payload

3U, 4U, 5U are 36.3 kg to 45.4 kg
7U and 9U are 45 - 77 kg.

G-Rating

N/A

Sway Space

35 mm

Rolling Features

Sizes 3U, 4U, 5U: 88 mm (3.5") Swivel Casters
Sizes 7U and 9U: Edge Casters on 127 mm lid

Base Features

- » Case Colour: Black
- » Classic-V has Black Carbon Steel Handles
- » Super-V has Black Plastic Handles
- » Black Carbon Steel Non-Locking Catch-and-Strike Hardware
- » Steel Square Hole Rack Frame
- » Pressure Relief Valve and Closed Loop Gasket

24" Super-V / 30" Super-V

Sizes

24" Super-V: 3U, 4U, 5U, 7U, 9U, 11U, 14U
30" Super-V: 3U, 5U, 7U, 9U
2" front lid and 5" back lid standard

Payload

3U, 4U, 5U are 36 - 45 kg.
7U, 9U, 11U and 14U are 45 - 77 kg.

G-Rating

15 - 30 G

Sway Space

25 mm

Rolling Features

All U-sizes have mould-in Edge Casters on 127 mm Lid

- » Lid Hangers and Coupling Catches
- » Moulded-in Stacking Ribs
- » 3U- 5U cases include qty (24) 10-32 and qty of (24) M6 Clip Nuts.
- » 7U- 14U includes (48) 10-32 and qty of (48) M6 Clip Nuts.



Shock/Vibration System

Wall Mounted Cylindrical shocks.

The Classic-V and Super-V Racks have a steel square-hole frame using Standard (US) or Metric (M6) cage nuts. The shock mounts are attached directly to the case wall.

Note: The larger U sizes get 2 univ cage nuts kits.

- * 3U - 5U contain (1) Universal Cage Nut Kit
- * 7U - 14U contain (2) Universal Cage Nut Kits

Applications

- » Professional A/V
- » Music and Entertainment Industry
- » Small Office Infrastructure
- » Mobile Video/Photography
- » News Reporting
- » Prosumer / Commercial Drone Control
- » HDD or Connected Servers for App/Game Development

Customisation

V-Series cases are an Off-the-Shelf product, in stock and ready to ship.

Sizes

4U, 6U, 8U, 10U and 12U

G-Rating

50 - 80

Payload

10 - 50 kg.

Sway Space

13 mm sway space

Base Features

- » Square holed steel frame
- » Lightweight, compact, and inter-stackable
- » Shock mounts protect equipment from shock and vibration
- » High-strength steel rack frame supports equipment from 10-50 kg
- » Patented, wide-design, Comfort Grip Handles™ come as a standard option
- » 10 different models, frame heights 4-12U in two depths, 480 and 610mm
- » Variety of accessories and options
- » Manufactured in Europe
- » Edge casters standard in deep lids

Options / Accessories

- » 13 Optional Colours
- » Interlocking Catches
- » Cage Nuts with Screws
- » Comfort Grip Plastic Handles
- » Stainless Steel Black Catch and Strike
- » Pressure Relief Valve
- » Humidity Indicator
- » Edge Casters
- » Card Holder
- » ID Plate
- » Custom Stenciling
- » Lid Storage Pouch
- » Lockable Cable Catches
- » Drawers
- » Sliding and Fixed Shelves
- » Keyboard Tray
- » Horizontal Supports for Heavy Weighted Payload
- » Lock 'N Load Removable Rack
- » Lid Pouch
- » 3.5" or 5" Casters
- » Caster Storage in Lid



Shock/vibration System

Wall Mounted Cylindrical shocks. The shock mounts on Min Mac Rack cases are attached directly to the case wall. They isolate equipment from vibration as well as impact forces. This shock mount design is used for lower payload weight applications.

Applications

- » Rack mountable precision test equipment
- » Electro-mechanical
- » Medical and biological diagnostic equipment, memory storage devices
- » Meteorological instruments
- » Mobile operations
- » Broadcast and video gear
- » Laboratory equipment
- » Aerospace instrumentation
- » Servers, military mission planning
- » Flight simulators

Customisation

MIN MAC Rack™ cases are fully configurable and made to order using the list of options. They can be customised by our Technical Sales solution team.

Blackbox Case

Light Duty



The BlackBox case is a textured roto moulded case with a 19" (48 cm) wide and 24" (61 cm) and 30" (76 cm) deep EIA standard rack. It is an Off-the-Shelf product.

This light weight, compact, and double ended case offers light duty protection and

boasts significantly better light duty shock performance than the competition. The use of recycled materials in the shell and a steel frame offers great value while upholding Peli-Hardigg's industry-leading standards.

A BlackBox case is ideal when you need immediate access to an Off-the-Shelf case and need to be cost conscious without sacrifice performance.

Not intended for high-end sensitive electronics



Made from recycled plastic materials as part of Peli-Hardigg's commitment to reduce waste and protect the environment

Sizes

3U, 4U, 5U, 7U, 9U, 11U, and 14U
2" front lid and 5" back lid standard

G-Rating

40 - 80

Payload

9 kg to 45.4 kg

Sway Space

25.4 mm sway space for the ability to decelerate shock

Base Features

- » Case Colour: Black (463)
- » Black Carbon Steel Non-Locking Catch-and-Strike Hardware
- » Four (4) Plastic Comfort Grip Handles
- » 2" Front Lid and 5" Back lid
- » Mould-in Edge Casters on 5" Lid
- » Closed Loop Gasket with rivet vent in handle well
- » Light Duty Steel Frame Tapped M6

Options / Accessories

N/A

Preconfigured case in 7 standard u sizes



See specifications on page 27



Shock/vibration System

Cylindrical Shock Mounts installed on a light duty steel frame. Shock mounts attach directly to a moulded-in shoulder on the body of the case. Frame can be tapped Standard (SAE) or Metric (M6).

Applications

- » Audio/Video Recording and Processing Systems
- » Satellite Communication Systems
- » Radio Communication Systems
- » Seismic Data Recording Instrumentation
- » Climate Data Collection
- » Field-Deployed Amplifiers and Electronics
- » Medical or Testing Equipment Components

Customisation

BlackBox cases are an Off-the-Shelf product, in stock and ready to ship.

For most up-to-date information, please visit www.peli.com

Light weight case for protection from rain, dust and impact



See specifications on page 28

Sizes

4U, 6U, 8U, 10U, and 14U

G-Rating

80 - 120

Payload

Up to 34 kg.

Sway Space

No sway space

Base Features

- » Colour: Black (032)
- » Black Carbon Steel Non-Locking Catch-and-Strike Hardware (HNB)
- » Two (2) Plastic Comfort Grip Handles, one on each lid
- » Aluminum Rack Frame attached to the front opening of the case body

Options / Accessories

- » 13 Optional Colours
- » Black Carbon Steel or Stainless Steel Black Non-Locking Catch-and-Strike Hardware (SSB)
- » Pressure Release Valve
- » Card Holders - 3 X 5
- » Front Labels
- » Additional rear rack frame attached at the back of the case body
- » Stencils
- » Bezel plate and rear frame extensions to also bolt equipment to the rear of the case. Extensions are also for use with sliding shelves or drawers
- » Locking removable 88 mm (3.5") Swivel Casters

For most up-to-date information, please visit www.peli.com

ProRack™ Case

Light Duty



The ProRack™ case is a smooth roto moulded case with a 19" (48 cm) wide and 17" (43 cm) deep EIA standard rack.

ProRack™ cases are the ideal option when you need a light weight, space-efficient, front and rear opening container, but do not need a shock mounted system. Add accessories such as coupling catches for locking stability, removable casters or extra threaded rack clips to suit your exact needs.

A ProRack™ case is the toughest small case available for basic protection from rain, immersion, dust and impact.



Shock/vibration System

ProRack™ cases do not have shock mounts. The rack frame is mounted directly to the front opening of the case body. A second frame for the rear opening of the case body can be added as an option.

Applications

- » Semi-Fragile Medical Equipment
- » Radios and Amplifiers
- » Field Deployed Test Equipment

Customisation

ProRack™ cases are fully configurable and made to order using the list of options.

Rack Mount Case Catalogue 17

Euro-V Specifications

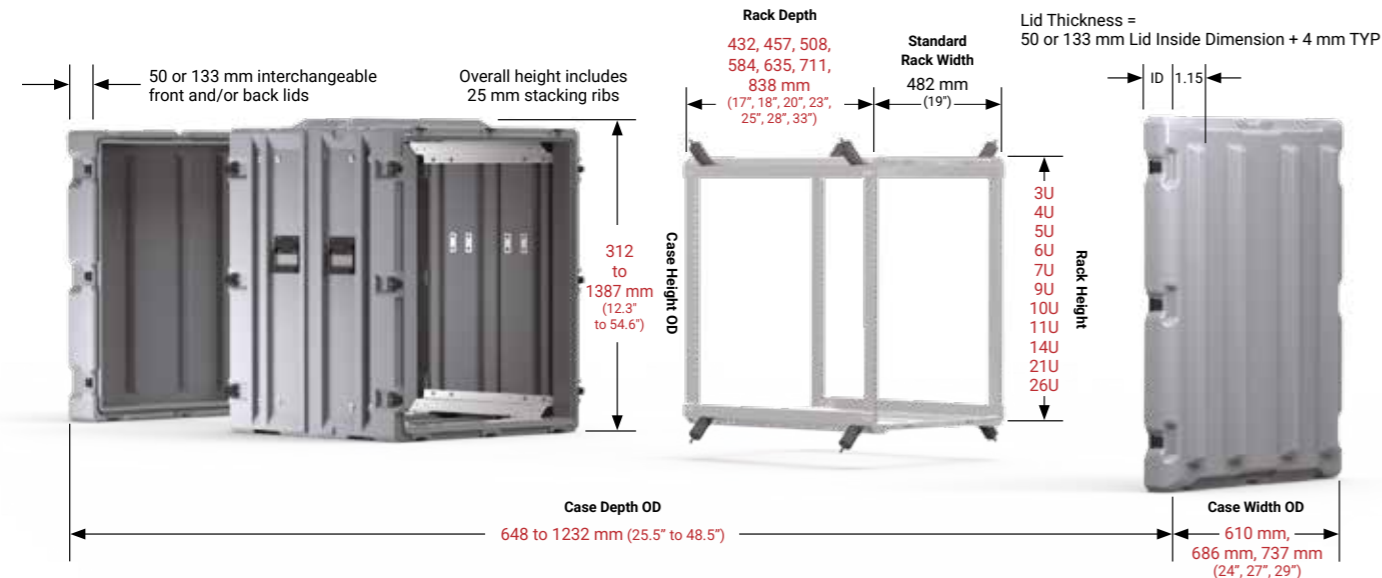


Rack shown: Classic Rack

PART NO.	RACK DIMENSIONS						CASE DIMENSIONS												
	RACK HEIGHT U SIZE			RACK DEPTH		RACK WIDTH		FRONT/ BACK LID		OUTSIDE DEPTH (Front to Back)		OUTSIDE WIDTH		OUTSIDE HEIGHT		WEIGHT		SHIPPING CUBE	
	U	in	mm	in	mm	in	mm	in	mm	in	mm	in	mm	in	mm	lbs	kg	ft ³	m ³
EURO-V-4U-S	4U	7	178	24	610	19	483	1.9/4.9	49/125	39	992	24.68	627	13.6	345	48.5	22	7.58	0.215
EURO-V-4U-L				30	762			1.8/4.6	45/115	51.8	23.5					8.74	0.246		
EURO-V-5U-L	5U	8.75	222	30	762			1.8/4.5	45/115	45	1138			15.31	389	52.9	24	9.84	0.278
EURO-V-6U-L	6U	10.5	267					17.44	433	55.1	25			11.21	0.309				
EURO-V-7U-S	7U	12.25	311	24	610			1.9/4.9	49/125	39	992			18.81	478	55.1	25	10.48	0.297
EURO-V-7U-L				30	762			1.8/4.5	45/115	58.4	26.5					12.09	0.341		
EURO-V-8U-L	8U	14	356	30	762			1.8/4.5	45/115	45	1138			20.55	522	60.6	27.5	13.21	0.372
EURO-V-9U-S	9U	15.75	400	24	610			1.9/4.9	49/125	39	992			22.32	567	59.5	27	12.43	0.353
EURO-V-10U-L	10U	17.5	445	30	762			1.9/6.1	49/154	46.30	1176			24.05	611	69.5	31.5	15.9	0.451

The weight data of the cases will be confirmed upon production of initial units.

Classic Rack Case Specifications



PART NO.	RACK DIMENSIONS				CASE DIMENSIONS				WEIGHT				SHIPPING CUBE	
	RACK HEIGHT U SIZE	RACK DEPTH	RACK WIDTH	FRONT/BACK LID ¹	OUTSIDE DEPTH ² (Front to Back)	OUTSIDE WIDTH	OUTSIDE HEIGHT ³	WEIGHT	SHIPPING CUBE	lbs	kg	ft ³	m ³	
DE2410-02/24/02	3U*	5.25	133	2.5 / 2.5	32.0	813	12.3	311	43	19.5	6.1	0.17		
DE2410-02/24/05	(4U)			2.5 / 5.25	34.8	883			44	20.0	6.7	0.19		
DE2410-05/24/05				5.25 / 5.25	37.5	953			45	20.4	7.2	0.20		
DE2412-02/24/02	4U*	7.00	178	2.5 / 2.5	32.0	813	14.6	371	50	22.7	7.3	0.21		
DE2412-02/24/05	(5U)			2.5 / 5.25	34.8	883			51	23.1	7.9	0.22		
DE2412-05/24/05				5.25 / 5.25	37.5	953			52	23.6	8.6	0.24		
DE2414-02/24/02	5U*	8.75	222	2.5 / 2.5	32.0	813	16.6	422	52	23.6	8.3	0.24		
DE2414-02/24/05	(6U)			2.5 / 5.25	34.8	883			54	24.5	9.0	0.26		
DE2414-05/24/05				5.25 / 5.25	37.5	953			56	25.4	9.7	0.28		
DE2416-02/24/02	6U*	10.50	267	2.5 / 2.5	32.0	813	18.6	473	56	25.4	9.3	0.26		
DE2416-02/24/05	(7U)			2.5 / 5.25	34.8	883			57	25.9	10.1	0.29		
DE2416-05/24/05				5.25 / 5.25	37.5	953			59	26.8	10.9	0.31		
DE2418-02/20/02	7U*	12.25	311	2.5 / 2.5	27.5	699	20.6	524	59	26.8	8.9	0.25		
DE2418-02/20/05	(8U)			2.5 / 5.25	30.3	768			61	27.7	9.7	0.28		
DE2418-05/20/05				5.25 / 5.25	33.0	838			63	28.6	10.6	0.30		
DE2121-02/18/02	10U	17.50	445	2.5 / 2.5	25.5	648	24.0	610	47	21.3	8.6	0.24		
DE2121-02/18/05				2.5 / 5.25	28.3	718			49	22.2	9.5	0.27		
DE2121-05/18/05				5.25 / 5.25	31.0	787			51	23.1	10.4	0.30		
DE2121-02/30/02	10U	17.50	445	2.5 / 2.5	37.5	953	24.0	610	76	34.5	12.6	0.36		
DE2121-02/30/05				2.5 / 5.25	40.3	1022			78	35.4	13.6	0.38		
DE2121-05/30/05				5.25 / 5.25	43.0	1092			80	36.3	14.5	0.41		
DE2652-02/25/02	26U	45.50	1156	2.5 / 2.5	32.5	826	29.0	737	119	54.0	29.8	0.84		
DE2652-02/25/05	(27U)			2.5 / 5.25	35.3	895			121	54.9	32.3	0.91		
DE2652-05/25/05				5.25 / 5.25	38.0	965			123	55.8	34.8	0.99		

1 - Lid Outside Dimension (O.D.) = Lid I.D. plus 29,21 mm (1.15") per lid
 2 - Depth includes stacking ribs 3 - Height excludes 25,4 mm (1") stacking ribs
 3 - Height excludes 25,4 mm (1") stacking ribs

* - Rapid Rack Available
 ■ - Square Hole Rack Frame Option Available

Classic Rack Case Specifications

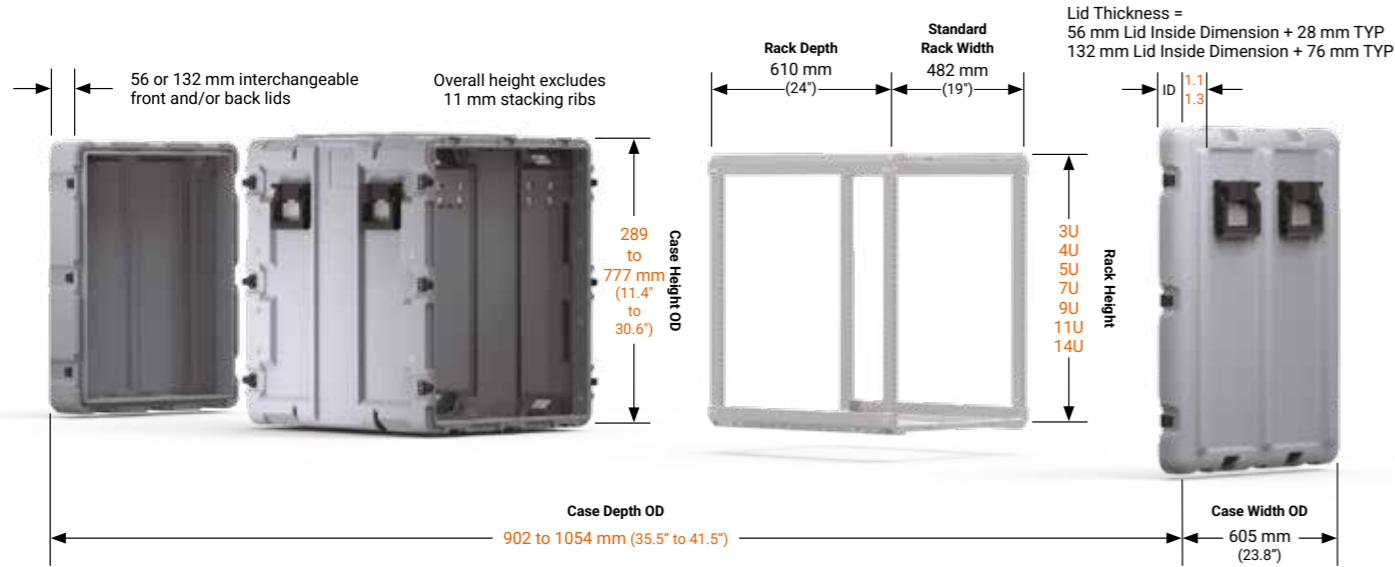
PART NO.	RACK DIMENSIONS				CASE DIMENSIONS				WEIGHT				SHIPPING CUBE	
	RACK HEIGHT U SIZE	RACK DEPTH	RACK WIDTH	FRONT/BACK LID ¹	OUTSIDE DEPTH ² (Front to Back)	OUTSIDE WIDTH	OUTSIDE HEIGHT ³	WEIGHT	SHIPPING CUBE	lbs	kg	ft ³	m ³	
DE2414-02/27/02	5U*	8.75	222	2.5 / 2.5	34.9	886	16.6	422	53	24.0	9.1	0.26		
DE2414-02/27/05	(6U)			2.5 / 5.25	37.6	956			55	24.9	9.8	0.28		
DE2414-05/27/05				5.25 / 5.25	40.4	1026			57	25.9	10.5	0.30		
DE2416-02/27/02	6U*	10.50	267	2.5 / 2.5	34.9	886	18.6	473	57	25.9	10.1	0.29		
DE2416-02/27/05	(7U)			2.5 / 5.25	37.6	956			59	26.8	10.9	0.31		
DE2416-05/27/05				5.25 / 5.25	40.4	1026			60	27.2	11.7	0.33		
DE2418-02/27/02	7U*	12.25	311	2.5 / 2.5	34.9	886	20.6	524	60	27.2	11.2	0.32		
DE2418-02/27/05	(8U)			2.5 / 5.25	37.6	956			62	28.1	12.1	0.34		
DE2418-05/27/05				5.25 / 5.25	40.4	1026			64	29.0	13.0	0.37		
DE2421-02/27/02	9U*	15.75	400	2.5 / 2.5	34.9	886	24.3	616	70	31.8	13.2	0.37		
DE2421-02/27/05	(10U)			2.5 / 5.25	37.6	956			71	32.2	14.3	0.40		
DE2421-05/27/05				5.25 / 5.25	40.4	1026			73	33.1	15.3	0.43		
DE2425-02/27/02	11U*	19.25	489	2.5 / 2.5	34.9	886	27.9	709	75	34.0	15.2	0.43		
DE2425-02/27/05	(12U)			2.5 / 5.25	37.6	956			78	35.4	16.4	0.46		
DE2425-05/27/05				5.25 / 5.25	40.4	1026			81	36.7	17.6	0.50		
DE2430-02/27/02	14U*	24.50	622	2.5 / 2.5	34.9	886	33.0	838	79	35.8	18.0	0.51		
DE2430-02/27/05	(15U)			2.5 / 5.25	37.6	956			81	36.7	19.4	0.55		
DE2430-05/27/05				5.25 / 5.25	40.4	1026			83	37.6	20.8	0.59		
DE2442-02/27/02	21U	36.75	933	2.5 / 2.5	34.9	886	44.6	1133	103	46.7	24.3	0.69		
DE2442-02/27/05	(22U)			2.5 / 5.25	37.6	956			105	47.6	26.2	0.74		
DE2442-05/27/05				5.25 / 5.25	40.4	1026			107	48.5	28.2	0.80		

PART NO.	RACK DIMENSIONS				CASE DIMENSIONS				WEIGHT				SHIPPING CUBE	
	RACK HEIGHT U SIZE	RACK DEPTH	RACK WIDTH	FRONT/BACK LID ¹	OUTSIDE DEPTH ² (Front to Back)	OUTSIDE WIDTH	OUTSIDE HEIGHT ³	WEIGHT	SHIPPING CUBE	lbs	kg	ft ³	m ³	
DE2410-02/35/02	3U*	5.25	133	2.5 / 2.5	43.0	1092	12.3	311	50.0	22.7	8.3	0.24		
DE2410-02/35/05	(4U)			2.5 / 5.25	45.8	1163			51.0	23.1	8.8	0.25		
DE2410-05/35/05				5.25 / 5.25	48.5	1232			52.0	23.6	9.3	0.26		
DE2412-02/35/02	4U*	7.00	178	2.5 / 2.5	43.0	1092	14.6	371	53.0	24.0	9.8	0.28		
DE2412-02/35/05	(5U)			2.5 / 5.25	45.8	1163			54.0	24.5	10.5	0.30		
DE2412-05/35/05				5.25 / 5.25	48.5	1232			55.0	25.0	11.1	0.31		
DE2414-02/35/02	5U*	8.75	222	2.5 / 2.5	43.0	1092	16.6	422	54.0	24.5	11.2	0.32		
DE2414-02/35/05	(6U)			2.5 / 5.25	45.8	1163			56.0	25.4	11.9	0.37		
DE2414-05/35/05				5.25 / 5.25	48.5	1232			58.0	26.3	12.6	0.36		
DE2418-02/35/02	7U*	12.25	311	2.5 / 2.5	43.0	1092	20.6	524	63.0	28.6	13.8	0.39		
DE2418-02/35/05	(8U)			2.5 / 5.25	45.8	1163			65.0	29.5	14.7	0.42		
DE2418-05/35/05				5.25 / 5.25	48.5	1232			67.0	30.4	15.6	0.44		
DE2421-02/35/02	9U*	15.75	400	2.5 / 2.5	43.0	1092	24.3	616	71.0	32.2	16.3	0.46		
DE2421-02/35/05	(10U)			2.5 / 5.25	45.8	1163			72.0	32.7	17.4	0.49		
DE2421-05/35/05				5.25 / 5.25	48.5	1232			74.0	33.6	18.4	0.52		

1 - Lid Outside Dimension (O.D.) = Lid I.D. plus 29,21 mm (1.15") per lid
 2 - Depth includes stacking ribs 3 - Height excludes 25,4 mm (1") stacking ribs
 3 - Height excludes 25,4 mm (1") stacking ribs

* - Rapid Rack Available
 ■ - Square Hole Rack Frame Option Available

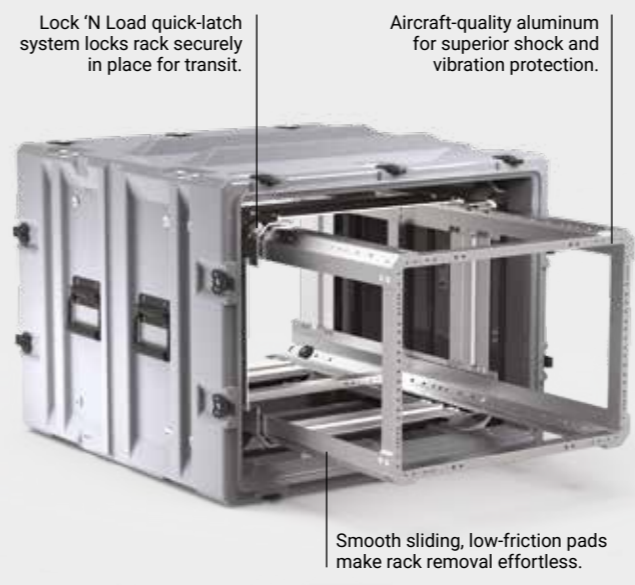
SuperMAC™ Case Specifications



24" DEEP FRAMES	RACK DIMENSIONS				CASE DIMENSIONS												
	RACK HEIGHT U SIZE	RACK DEPTH	RACK WIDTH	FRONT/BACK LID ¹	OUTSIDE DEPTH ²	OUTSIDE WIDTH ³	OUTSIDE HEIGHT ⁴	WEIGHT	SHIPPING CUBE								
PART NO.	U	in	mm	in	mm	in	mm	in	mm	in	mm	in	mm	lbs	kg	ft ³	m ³
SMAC 2109-02/29/02					2.2 / 2.2	35.5	902							48	21.8	5.5	0.16
SMAC 2109-02/29/05W	3U*	5.25	133		2.2 / 5.2	38.5	978			11.4	289			50	22.7	6.0	0.17
SMAC 2109-05/29/05W					5.2 / 5.2	41.5	1054							52	23.6	6.5	0.18
SMAC 2111-02/29/02					2.2 / 2.2	35.5	902							51	23.1	6.4	0.18
SMAC 2111-02/29/05W	4U*	7.00	178		2.2 / 5.2	38.5	978			13.1	333			53	24.0	6.9	0.20
SMAC 2111-05/29/05W					5.2 / 5.2	41.5	1054							55	24.9	7.5	0.21
SMAC 2112-02/29/02					2.2 / 2.2	35.5	902							53	24.0	7.3	0.21
SMAC 2112-02/29/05W	5U*	8.75	222		2.2 / 5.2	38.5	978			14.9	378			55	24.9	7.9	0.22
SMAC 2112-05/29/05W					5.2 / 5.2	41.5	1054							57	25.9	8.5	0.24
SMAC 2116-02/29/02					2.2 / 2.2	35.5	902							57	25.9	9.0	0.25
SMAC 2116-02/29/05W	7U*	12.25	311	24	2.2 / 5.2	38.5	978	23.8	603	18.4	467			60	27.2	9.7	0.28
SMAC 2116-05/29/05W					5.2 / 5.2	41.5	1054							62	28.1	10.5	0.30
SMAC 2119-02/29/02					2.2 / 2.2	35.5	902							61	27.7	10.7	0.30
SMAC 2119-02/29/05W	9U*	15.75	400		2.2 / 5.2	38.5	978			21.9	556			64	29.0	11.6	0.33
SMAC 2119-05/29/05W					5.2 / 5.2	41.5	1054							66	29.9	12.5	0.35
SMAC 2122-02/29/02					2.2 / 2.2	35.5	902							66	29.9	12.4	0.35
SMAC 2122-02/29/05W	11U*	19.25	489		2.2 / 5.2	38.5	978			25.4	644			69	31.3	13.4	0.38
SMAC 2122-05/29/05W					5.2 / 5.2	41.5	1054							71	32.2	14.5	0.41
SMAC 2128-02/29/02					2.2 / 2.2	35.5	902							71	32.2	14.9	0.42
SMAC 2128-02/29/05W	14U*	24.50	622		2.2 / 5.2	38.5	978			30.6	778			74	33.6	16.2	0.46
SMAC 2128-05/29/05W					5.2 / 5.2	41.5	1054							77	34.9	17.5	0.49

1 - Lid Outside Dimension (O.D.) = Lid I.D. plus 33 mm (1.3") on 132 mm (5.2") lids and plus 28 mm (1.1") on 56 mm (2.2") lids
 2 - Depth includes stiffening ribs, with metal handles installed
 3 - Width listed is calculated with metal handles installed on sides
 4 - Height excludes .44" stacking ribs
 * - Rapid Rack Available
 ■ - Square Hole Rack Frame Option Available

Rapid Rack Removable Rack Feature

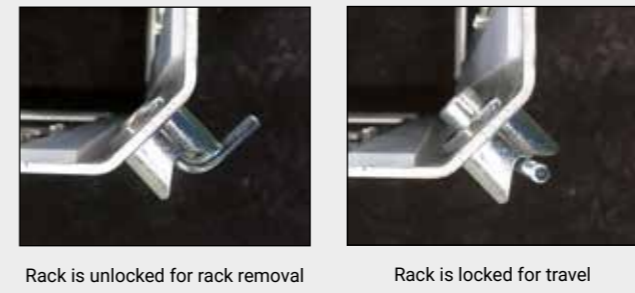


The Peli-Hardigg™ Rapid Rack Removable Rack feature combines all the shock and vibration protection of our Classic and SuperMAC™ Rack cases with the added benefit of a removable frame for complete frame accessibility.

The Rapid Rack option adds a simple Lock 'N Load quick-latch system to unlock the internal rack frame and polyethylene guide strips for smooth separation. The standard aluminum case frames hold the rack in the case using four spring lock pins. The shock mounted outer frames enable the rack to become removable using polyethylene guide strips. Pulled like a drawer, the entire rack frame slides out completely for easier in-the-field cable installation and connection to other equipment.

Rapid Rack is the ultimate versatility tool and protection system for any Classic Rack or SuperMAC™ Rack case application where frame removal is important. Order your case with the removable racks feature or purchase an upgrade kit to turn your existing fixed rack into a sliding rack case.

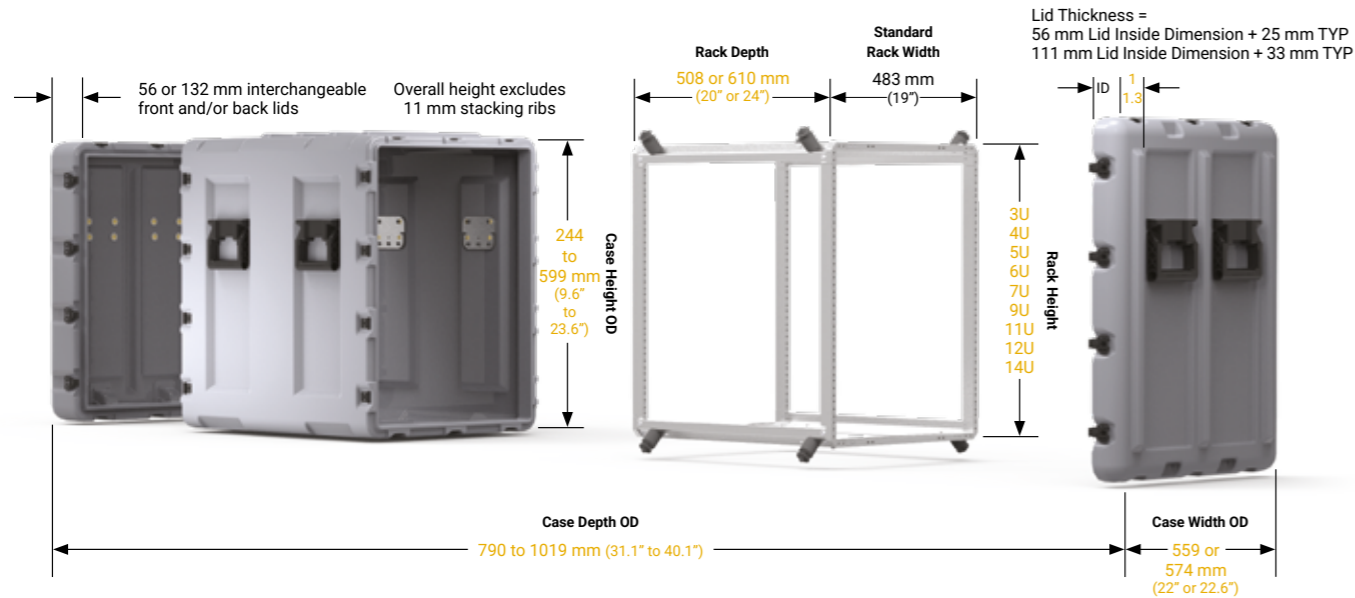
- » Standard U height frame (not available for 1U height adjusted frame sizes)
- » Not recommended for payload weights over 100 lbs. for safe handling reasons.



30" DEEP FRAMES	RACK DIMENSIONS				CASE DIMENSIONS												
	RACK HEIGHT U SIZE	RACK DEPTH	RACK WIDTH	FRONT/BACK LID ¹	OUTSIDE DEPTH ²	OUTSIDE WIDTH ³	OUTSIDE HEIGHT ⁴	WEIGHT	SHIPPING CUBE								
PART NO.	U	in	mm	in	mm	in	mm	in	mm	in	mm	in	mm	lbs	kg	ft ³	m ³
SMAC 2109-02/35/02					2.2 / 2.2	41.5	1054.1							52	23.6	6.5	0.18
SMAC 2109-02/35/05W	3U*	5.25	133		2.2 / 5.2	44.5	1130.3			11.4	289			54	24.5	7.0	0.20
SMAC 2109-05/35/05W					5.2 / 5.2	47.5	1206.5							56	25.4	7.5	0.21
SMAC 2112-02/35/02					2.2 / 2.2	41.5	1054							57	26.0	8.5	0.24
SMAC 2112-02/35/05W	5U*	8.75	222		2.2 / 5.2	44.5	1130			14.9	378			59	26.9	9.1	0.26
SMAC 2112-05/35/05W					5.2 / 5.2	47.5	1207							61	27.8	9.7	0.27
SMAC 2116-02/35/02					2.2 / 2.2	41.5	1054							62	27.9	10.5	0.30
SMAC 2116-02/35/05W	7U*	12.25	311		2.2 / 5.2	44.5	1130			18.4	467			65	29.3	11.3	0.32
SMAC 2116-05/35/05W					5.2 / 5.2	47.5	1207							67	30.2	12.0	0.34
SMAC 2119-02/35/02					2.2 / 2.2	41.5	1096							66	29.8	12.5	0.35
SMAC 2119-02/35/05W	9U*	15.75	400		2.2 / 5.2	44.5	1175			21.9	556			69	31.2	13.4	0.39
SMAC 2119-05/35/05W					5.2 / 5.2	47.5	1254							71	32.1	14.3	0.42

1 - Lid Outside Dimension (O.D.) = Lid I.D. plus 33 mm (1.3") on 132 mm (5.2") lids and plus 28 mm (1.1") on 56 mm (2.2") lids
 2 - Depth includes stiffening ribs, with metal handles installed
 3 - Width listed is calculated with metal handles installed on sides
 4 - Height excludes .44" stacking ribs
 * - Rapid Rack Available
 ■ - Square Hole Rack Frame Option Available

MAC Rack™ Case Specifications



20" DEEP FRAMES	RACK DIMENSIONS				CASE DIMENSIONS									
	RACK HEIGHT U SIZE	RACK DEPTH	RACK WIDTH	FRONT/BACK LID ¹	OUTSIDE DEPTH ²	OUTSIDE WIDTH ³	OUTSIDE HEIGHT ⁴	WEIGHT	SHIPPING CUBE					
PART NO.	U	in	mm	in	mm	in	mm	in	mm	lbs	kg	ft ³	m ³	
MR1907-02/25/02				2.2 / 2.2	31.1	789				31	13.9	3.8	0.11	
MR1907-02/25/05	3U	5.25	133	2.2 / 4.4	33.6	853	22.0	559	9.6	244	32	14.5	4.1	0.12
MR1907-05/25/05				4.4 / 4.4	36.1	917					33	15.1	4.4	0.13
MR1909-02/25/02				2.2 / 2.2	31.1	789					33	15.2	4.5	0.13
MR1909-02/25/05	4U	7.00	178	2.2 / 4.4	33.6	853			11.4	289	35	15.8	4.9	0.14
MR1909-05/25/05				4.4 / 4.4	36.1	917					36	16.3	5.2	0.15
MR1910-02/25/02				2.2 / 2.2	31.1	789					36	16.5	5.3	0.15
MR1910-02/25/05	5U	8.75	222	2.2 / 4.4	33.6	853			13.1	333	38	17.1	5.8	0.16
MR1910-05/25/05				4.4 / 4.4	36.1	917					39	17.6	6.2	0.18
MR1913-02/25/02				2.2 / 2.2	31.1	789					39	17.8	6.1	0.17
MR1913-02/25/05	6U	10.50	267	2.2 / 4.4	33.6	853			14.9	378	41	18.4	6.5	0.19
MR1913-05/25/05				4.4 / 4.4	36.1	917					42	19.0	7.0	0.20
MR1914-02/25/02				2.2 / 2.2	31.1	789					42	19.1	6.8	0.19
MR1914-02/25/05	7U	12.25	311	2.2 / 4.4	33.6	853	22.6	575	16.6	422	43	19.5	7.3	0.21
MR1914-05/25/05				4.4 / 4.4	36.1	917					44	20.0	7.9	0.22
MR1917-02/25/02				2.2 / 2.2	31.1	789					46	20.9	8.2	0.23
MR1917-02/25/05	9U	15.75	400	2.2 / 4.4	33.6	853			20.2	512	47	21.3	8.9	0.25
MR1917-05/25/05				4.4 / 4.4	36.1	917					48	21.9	9.5	0.27
MR1921-02/25/02				2.2 / 2.2	31.1	789					50	22.6	9.6	0.27
MR1921-02/25/05	11U	19.25	489	2.2 / 4.4	33.6	853			23.6	600	51	23.1	10.4	0.29
MR1921-05/25/05				4.4 / 4.4	36.1	917					52	23.6	11.2	0.32

1 - Lid Outside Dimension (O.D.) = Lid I.D. plus 33 mm (1.3") on 112 mm (4.4") lids and plus 25.4 mm (1") on 56 mm (2.2") lids
2 - Depth includes stacking ribs

3 - Depth listed is calculated with plastic handles installed on sides which is standard. 3U, 4U and 5U cases come standard with stainless steel handles all around.
4 - Height excludes .44" stacking ribs

MAC Rack™ Case Specifications

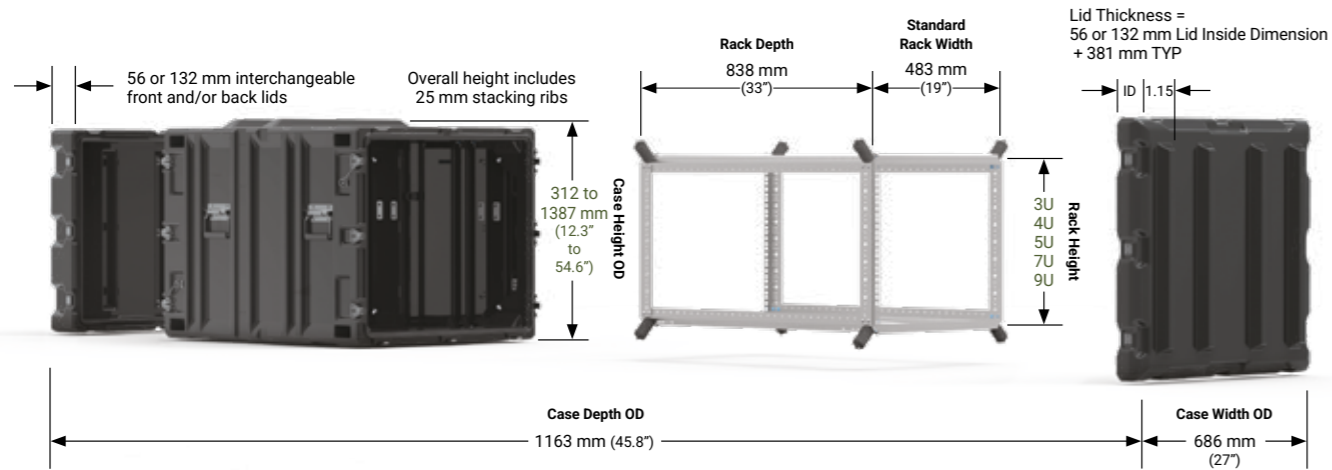
20" DEEP FRAMES	RACK DIMENSIONS				CASE DIMENSIONS									
	RACK HEIGHT U SIZE	RACK DEPTH	RACK WIDTH	FRONT/BACK LID ¹	OUTSIDE DEPTH ²	OUTSIDE WIDTH ³	OUTSIDE HEIGHT ⁴	WEIGHT	SHIPPING CUBE					
PART NO.	U	in	mm	in	mm	in	mm	in	mm	lbs	kg	ft ³	m ³	
MR1923-02/25/02				2.2 / 2.2	31.1	789					52	23.5	10.3	0.29
MR1923-02/25/05	12U	21.00	533	2.2 / 4.4	33.6	853	22.6	575	25.4	644	53	24.0	11.2	0.32
MR1923-05/25/05				4.4 / 4.4	36.1	917					54	24.6	12.0	0.34
MR1926-02/25/02				2.2 / 2.2	31.1	789					56	25.4	11.8	0.33
MR1926-02/25/05	14U	24.50	622	2.2 / 4.4	33.6	853			28.9	734	57	25.7	12.7	0.36
MR1926-05/25/05				4.4 / 4.4	36.1	917					57	25.9	13.7	0.39

24" DEEP FRAMES	RACK DIMENSIONS				CASE DIMENSIONS									
	RACK HEIGHT U SIZE	RACK DEPTH	RACK WIDTH	FRONT/BACK LID ¹	OUTSIDE DEPTH ²	OUTSIDE WIDTH ³	OUTSIDE HEIGHT ⁴	WEIGHT	SHIPPING CUBE					
PART NO.	U	in	mm	in	mm	in	mm	in	mm	lbs	kg	ft ³	m ³	
MR1907-02/29/02				2.2 / 2.2	35.1	891					32	14.5	4.3	0.12
MR1907-02/29/05	3U	5.25	133	2.2 / 4.4	37.6	955	22.0	559	9.6	244	33	15.0	4.6	0.13
MR1907-05/29/05				4.4 / 4.4	40.1	1019					34	15.4	4.9	0.14
MR1909-02/29/02				2.2 / 2.2	35.1	891					35	15.6	5.1	0.14
MR1909-02/29/05	4U	7.00	178	2.2 / 4.4	37.6	955			11.4	289	36	16.2	5.4	0.15
MR1909-05/29/05				4.4 / 4.4	40.1	1019					37	16.9	5.8	0.16
MR1910-02/29/02				2.2 / 2.2	35.1	891					37	17.0	6.0	0.17
MR1910-02/29/05	5U	8.75	222	2.2 / 4.4	37.6	955			13.1	333	39	17.6	6.5	0.18
MR1910-05/29/05				4.4 / 4.4	40.1	1019					40	18.1	6.9	0.20
MR1913-02/29/02				2.2 / 2.2	35.1	891					40	18.3	6.8	0.19
MR1913-02/29/05	6U	10.50	267	2.2 / 4.4	37.6	955			14.9	378	42	18.9	7.3	0.21
MR1913-05/29/05				4.4 / 4.4	40.1	1019					43	19.5	7.8	0.22
MR1914-02/29/02				2.2 / 2.2	35.1	891					42	18.8	7.6	0.22
MR1914-02/29/05	7U	12.25	311	2.2 / 4.4	37.6	955			16.6	422	44	20.1	8.2	0.23
MR1914-05/29/05				4.4 / 4.4	40.1	1019					47	21.3	8.7	0.25
MR1917-02/29/02				2.2 / 2.2	35.1	891					47	21.3	9.3	0.26
MR1917-02/29/05	9U	15.75	400	2.2 / 4.4	37.6	955	22.6	575	20.2	512	48	21.9	9.9	0.28
MR1917-05/29/05				4.4 / 4.4	40.1	1019					49	22.4	10.6	0.30
MR1921-02/29/02				2.2 / 2.2	35.1	891					51	23.1	10.8	0.31
MR1921-02/29/05	11U	19.25	489	2.2 / 4.4	37.6	955			23.6	600	52	23.6	11.6	0.33
MR1921-05/29/05				4.4 / 4.4	40.1	1019					53	24.1	12.4	0.35
MR1923-02/29/02				2.2 / 2.2	35.1	891					53	24.0	11.7	0.33
MR1923-02/29/05	12U	21.00	533	2.2 / 4.4	37.6	955			25.4	644	54	24.6	12.5	0.35
MR1923-05/29/05				4.4 / 4.4	40.1	1019					55	25.1	13.3	0.38
MR1926-02/29/02				2.2 / 2.2	35.1	891					57	25.9	13.3	0.38
MR1926-02/29/05	14U	24.50	622	2.2 / 4.4	37.6	955			28.9	734	58	26.1	14.2	0.40
MR1926-05/29/05				4.4 / 4.4	40.1	1019					58	26.4	15.2	0.43

1 - Lid Outside Dimension (O.D.) = Lid I.D. plus 33 mm (1.3") on 112 mm (4.4") lids and plus 25.4 mm (1") on 56 mm (2.2") lids
2 - Depth includes stacking ribs

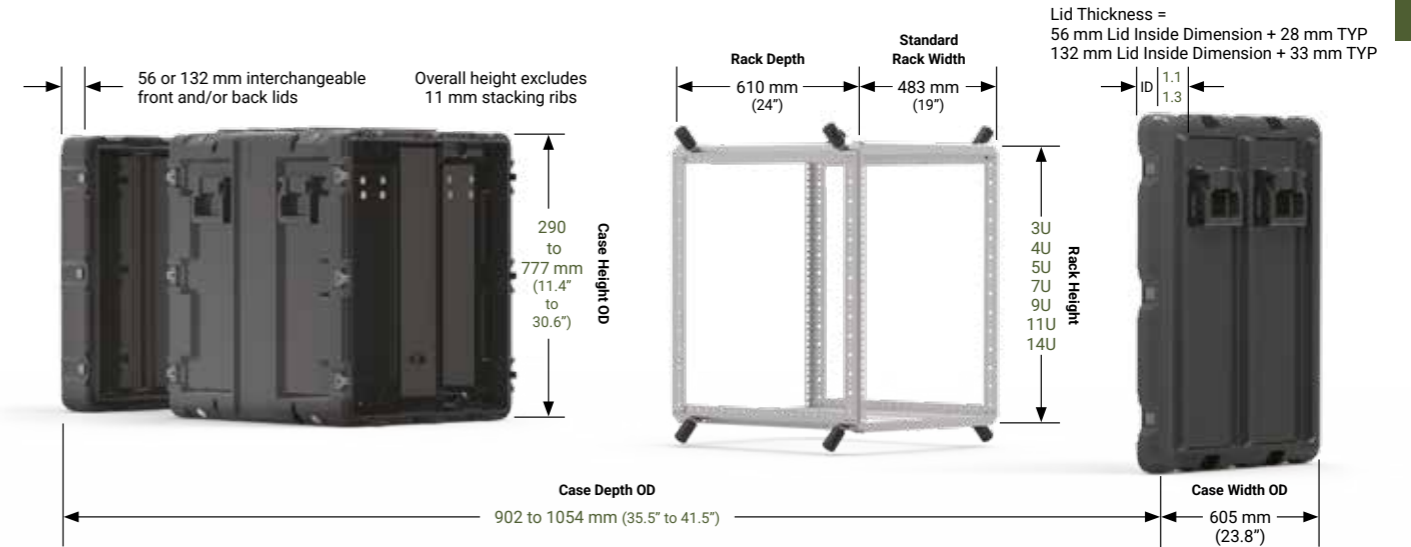
3 - Depth listed is calculated with plastic handles installed on sides which is standard. 3U, 4U and 5U cases come standard with stainless steel handles all around.
4 - Height excludes .44" stacking ribs

33" Classic-V Case Specifications



33" DEEP FRAMES	RACK DIMENSIONS				CASE DIMENSIONS						SHIPPING CUBE							
	RACK HEIGHT U SIZE	RACK DEPTH	RACK WIDTH		FRONT/BACK LID	OUTSIDE DEPTH	OUTSIDE WIDTH	OUTSIDE HEIGHT		WEIGHT	SHIPPING CUBE							
PART NO.	U	in	mm	in	mm	in	mm	in	mm	in	mm	lbs	kg	ft ³	m ³			
CLASSIC-V-3U	3U	5.25	133	33	838	19	483	2.5 / 5.25	45.8	1163	27.0	486	12.3	311	51.0	23.1	8.8	0.25
CLASSIC-V-4U	4U	7.00	178										14.6	371	54.0	24.5	10.5	0.30
CLASSIC-V-5U	5U	8.75	222										16.6	422	56.0	25.4	11.9	0.37
CLASSIC-V-7U	7U	12.25	311										20.6	524	65.0	29.5	14.7	0.42
CLASSIC-V-9U	9U	15.75	400										24.3	616	72.0	32.7	17.4	0.49

24"/30" Super-V Case Specifications



24" DEEP FRAMES	RACK DIMENSIONS				CASE DIMENSIONS						SHIPPING CUBE							
	RACK HEIGHT U SIZE	RACK DEPTH	RACK WIDTH		FRONT/BACK LID	OUTSIDE DEPTH	OUTSIDE WIDTH	OUTSIDE HEIGHT		WEIGHT	SHIPPING CUBE							
PART NO.	U	in	mm	in	mm	in	mm	in	mm	in	mm	lbs	kg	ft ³	m ³			
SUPER-V-3U	3U	5.25	133	24	610	19	483	2.2 / 5.2	35.8	978	23.8	603	11.4	289	50	22.7	6.0	0.17
SUPER-V-4U	4U	7.00	178										13.1	333	53	24.0	6.9	0.20
SUPER-V-5U	5U	8.75	222										14.9	378	55	24.9	7.9	0.22
SUPER-V-7U	7U	12.25	311										18.4	467	60	27.2	9.7	0.28
SUPER-V-9U	9U	15.75	400										21.9	556	64	29.0	11.6	0.33
SUPER-V-11U	11U	19.25	489										25.4	644	69	31.3	13.4	0.38
SUPER-V-14U	14U	24.5	622										30.6	778	74	33.6	16.2	0.46

Universal Cage Nut Kit

Included with each V Rack Case*
One (1) pack of #10-32 UNF/SAE (24 qty)
& One (1) pack of M6 Metric (24 qty)

PN: 1-030-32426

* 3U - 5U contain (1) Universal Cage Nut Kit
* 7U - 14U contain (2) Universal Cage Nut Kits



#10-32 UNF/SAE CAGE NUTS (24 pieces)

PN: 1-030-00032



M6 METRIC CAGE NUTS (24 pieces)

PN: 1-030-00042

30" DEEP FRAMES	RACK DIMENSIONS				CASE DIMENSIONS						SHIPPING CUBE							
	RACK HEIGHT U SIZE	RACK DEPTH	RACK WIDTH		FRONT/BACK LID	OUTSIDE DEPTH	OUTSIDE WIDTH	OUTSIDE HEIGHT		WEIGHT	SHIPPING CUBE							
PART NO.	U	in	mm	in	mm	in	mm	in	mm	in	mm	lbs	kg	ft ³	m ³			
SUPER-V-3U-30	3U	5.25	133	30	726	19	483	2.2 / 5.2	41.8	1062	23.8	603	11.4	289	54	24.5	6.6	0.19
SUPER-V-5U-30	5U	8.72	222										14.9	378	59	26.9	8.6	0.24
SUPER-V-7U-30	7U	12.25	311										18.4	467	65	29.3	10.6	0.30
SUPER-V-9U-30	9U	15.75	400										21.9	556	69	31.2	12.6	0.36

MIN MAC Rack™ Case Specifications

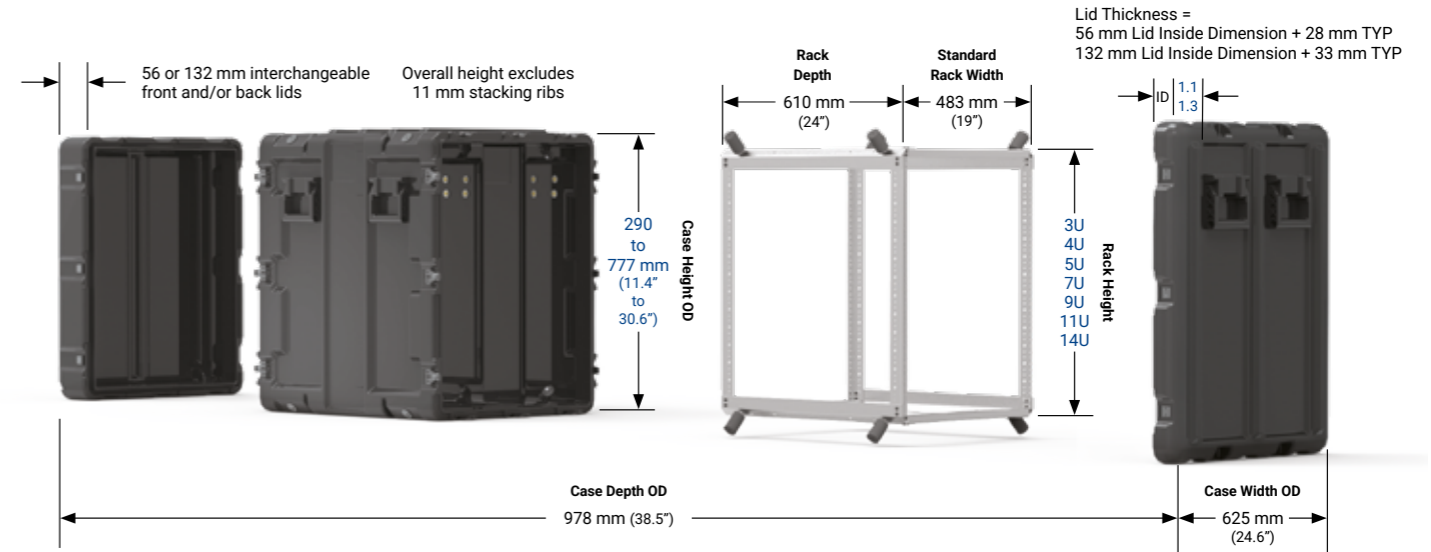
PART NO.	RACK DIMENSIONS				CASE DIMENSIONS						WEIGHT kg
	RACK HEIGHT U SIZE	RACK DEPTH	RACK WIDTH		LID I.D. FRONT/BACK	LID O.D. FRONT/BACK	CASE LENGTH O.D. ¹	CASE WIDTH O.D.	CASE HEIGHT O.D.		
	U	mm	mm	in	mm	mm	mm	mm	mm	mm	kg
MR4U 40/480/40	4U	178	480	19	483	45/45	80/80	740	555	285	17.2
MR4U 40/480/100						45/85	80/125	785			
MR4U 40/610/40	4U	178	610	19	483	45/45	80/80	870	555	285	19.0
MR4U 40/610/100						45/85	80/125	915			
MR6U 40/480/40	6U	267	480	19	483	45/45	80/80	740	555	375	19.3
MR6U 40/480/100						45/85	80/125	785			
MR6U 40/610/40	6U	267	610	19	483	45/45	80/80	870	555	375	20.9
MR6U 40/610/100						45/85	80/125	915			
MR8U 40/480/40	8U	355	480	19	483	45/45	80/80	740	555	460	22.8
MR8U 40/480/100						45/85	80/125	785			

1 - Length Outside Dimension includes both Lids.
Please note all weights are approximate, and may vary. These weights have been calculated.

PART NO.	RACK DIMENSIONS				CASE DIMENSIONS						WEIGHT kg
	RACK HEIGHT U SIZE	RACK DEPTH	RACK WIDTH		LID I.D. FRONT/BACK	LID O.D. FRONT/BACK	CASE LENGTH O.D. ¹	CASE WIDTH O.D.	CASE HEIGHT O.D.		
	U	mm	mm	in	mm	mm	mm	mm	mm	mm	kg
MR8U 40/610/40	8U	355	610	19	483	45/45	80/80	870	555	460	24.8
MR8U 40/610/100						45/85	80/125	915			
MR10U 40/480/40	10U	443	480	19	483	45/45	80/80	740	555	550	26.1
MR10U 40/480/100						45/85	80/125	785			
MR10U 40/610/40	10U	443	610	19	483	45/45	80/80	870	555	550	28.2
MR10U 40/610/100						45/85	80/125	915			
MR12U 40/480/40	12U	533	480	19	483	45/45	80/80	740	555	640	29.2
MR12U 40/480/100						45/85	80/125	785			
MR12U 40/610/40	12U	533	610	19	483	45/45	80/80	870	555	640	31.7
MR12U 40/610/100						45/85	80/125	915			

1 - Length Outside Dimension includes both Lids.
Please note all weights are approximate, and may vary. These weights have been calculated.

Blackbox Case Specifications



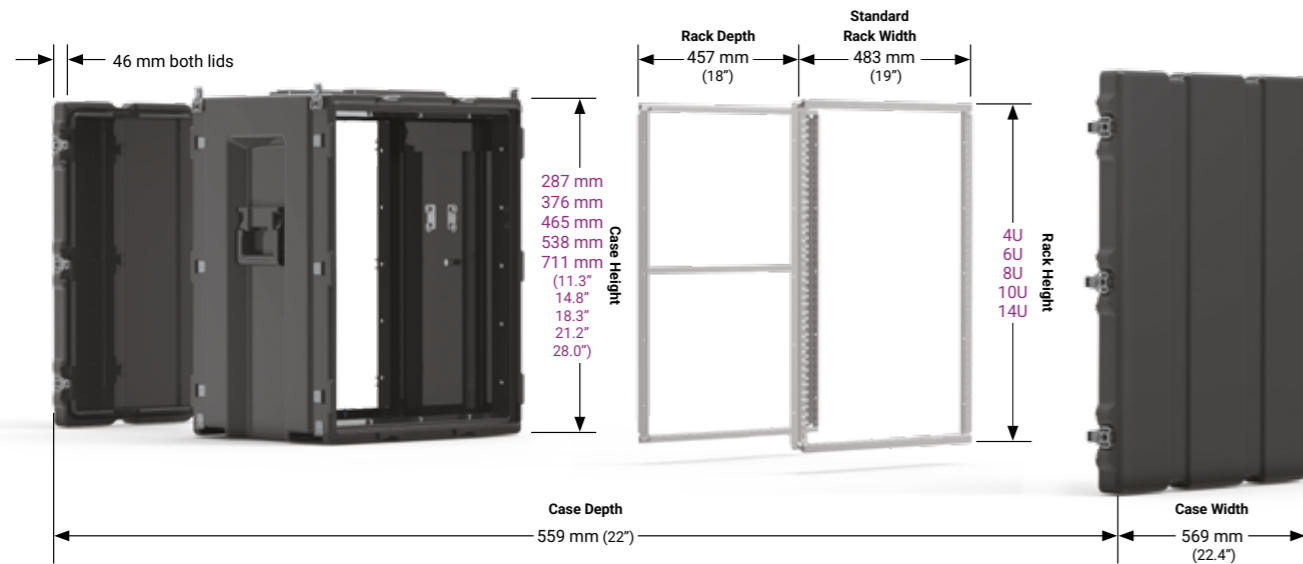
PART NO.	RACK DIMENSIONS				CASE DIMENSIONS						WEIGHT		SHIPPING CUBE					
	RACK HEIGHT U SIZE	RACK DEPTH	RACK WIDTH		FRONT/BACK LID ¹	OUTSIDE DEPTH ²	OUTSIDE WIDTH ³	OUTSIDE HEIGHT ⁴	lbs	kg	ft ³	m ³						
	U	in	mm	in	mm	in	mm	in	mm	in	mm	lbs	kg	ft ³	m ³			
BlackBox-3U-SAE	3U	5.25	133	24	610	19	483	2.2 / 5.2	38.5	978	24.6	625	11.4	289	42	19.1	6.2	0.18
BlackBox-4U-SAE	4U	7.00	178										13.1	333	47	21.3	7.2	0.20
BlackBox-5U-SAE	5U	8.75	222										14.9	378	48	21.8	8.2	0.23
BlackBox-7U-SAE	7U	12.25	311										18.4	467	51	23.1	10.1	0.29
BlackBox-9U-SAE	9U	15.75	400										21.9	556	56	25.4	12.0	0.34
BlackBox-11U-SAE	11U	19.25	489										25.4	644	60	27.2	13.9	0.39
BlackBox-14U-SAE	14U	24.50	622										30.6	778	66	29.9	16.8	0.48

PART NO.	RACK DIMENSIONS				CASE DIMENSIONS						WEIGHT		SHIPPING CUBE					
	RACK HEIGHT U SIZE	RACK DEPTH	RACK WIDTH		FRONT/BACK LID ¹	OUTSIDE DEPTH ²	OUTSIDE WIDTH ³	OUTSIDE HEIGHT ⁴	lbs	kg	ft ³	m ³						
	U	in	mm	in	mm	in	mm	in	mm	in	mm	lbs	kg	ft ³	m ³			
BlackBox30-3U-SAE	3U	5.25	133	30	762	19	483	2.2 / 5.2	44.5	1130	24.6	625	11.4	289	46	20.9	7.2	0.20
BlackBox30-5U-SAE	5U	8.75	222										14.9	378	52	23.7	9.4	0.27
BlackBox30-7U-SAE	7U	12.25	311										18.4	467	56	25.2	11.7	0.33
BlackBox30-9U-SAE	9U	15.75	400										21.9	556	61	27.6	13.9	0.39

1 - Lid Outside Dimension (O.D.) = Lid I.D. plus 33 mm (1.3") on 132 mm (5.2") lids and plus 28 mm (1.1") on 56 mm (2.2") lids
2 - Length includes stiffening ribs

3 - Width is based on measurements with installed comfort grip handles
4 - Height excludes .44" stacking ribs

ProRack™ Case Specifications

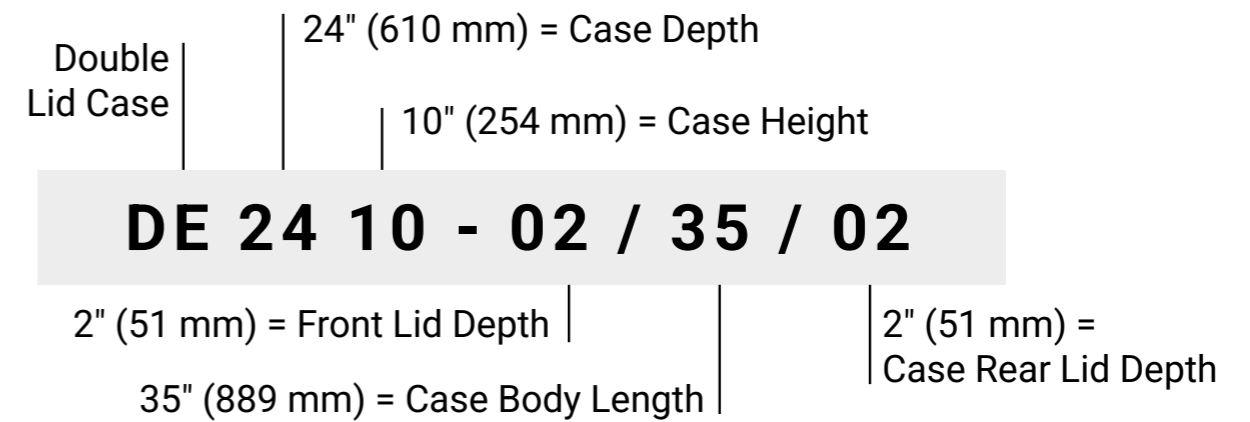


17" DEEP FRAMES	RACK DIMENSIONS				CASE DIMENSIONS														
	RACK HEIGHT U SIZE			RACK DEPTH	RACK WIDTH		FRONT/BACK LID ¹		OUTSIDE DEPTH ²		OUTSIDE WIDTH		OUTSIDE HEIGHT ³		WEIGHT		SHIPPING CUBE		
PART NO.	U	in	mm	in	mm	in	mm	in	mm	in	mm	in	mm	lbs	kg	ft ³	m ³		
PR2008-01/18/01	4U	7.00	177.8	17	432	19	483	1.81	46	22	559	22.4	568	11.3	286	20.9	9.5	3.2	0.09
PR2012-01/18/01	6U	10.50	266.7											14.8	375	23.9	10.8	4.2	0.12
PR2015-01/18/01	8U	14.00	355.6											18.3	464	27.3	12.4	5.2	0.15
PR2018-01/18/01	10U	17.50	444.5											21.2	558	39.0	17.7	6.4	0.18
PR2026-01/18/01	14U	24.50	622.3											28.0	711	36.3	16.5	8.0	0.23

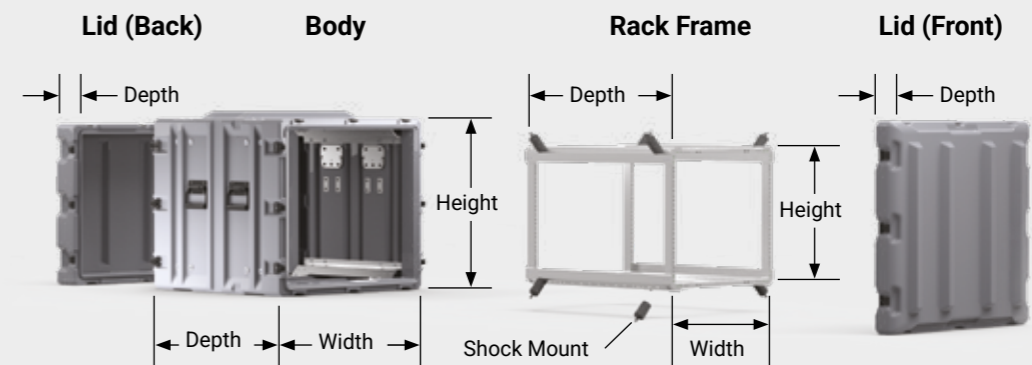
1 - Lid Outside Dimension (O.D.) = Lid I.D. plus 5 mm (0.2") per lid
 2 - Depth includes stacking ribs
 3 - Height excludes 13 mm (0.5") stacking ribs

The variance in rack length based on non shock mounted frame - "432 mm (17") rack frame is only obtained by purchasing extra rack frame for the rear of the case, 432 mm (17") rack length may vary - this is not a shock mounted rack"

Part Number Breakdown



Values Represent Interior Dimensions





REUSABLE
CONTAINER
DO NOT
DESTROY

FRONT VIEW

**EMEA HEADQUARTERS
PELI PRODUCTS, S.L.U.**
C/ Provença, 388 Planta 6
08025 Barcelona • Spain
Tel +34 934 674 999

**PELI PRODUCTS
FRANCE S.A.S.**
20/22 Rue des Petits Hôtels
75010 Paris • France
Tel +33 (0)1 44 83 95 63

**PELI PRODUCTS
GERMANY GmbH**
Neudorfer Strasse 285 C
09474 Crottendorf • Germany
Tel +49 (0)37344 313999